

MICOS

MOTION CONTROL & OPTICS **USA**

[Terms](#) | [Sitemap](#) | [About us](#) | [Contact](#) | [Catalog](#) | [Shows](#) | [News](#) | [Offices](#) | [Partners](#) | [Press Center](#) | [Support](#) | [Team](#) | [Home](#)

MICOS USA • 15375 BARRANCA PARKWAY • STE G101 • IRVINE • CA 92618 • PHONE 949 480 0538 • FAX 949 480 0538

Page

◀ 6.000 ▶

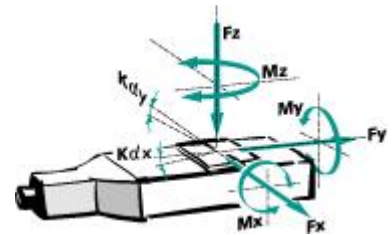
Linear Stage AVT-65

Manual Positioners



Key features

- Travel range 5 mm
- 30 mm clear aperture
- Dove tail slide
- Module combination



FACTS

Load Characteristics	Fx (N)	Fy (N)	Fz (N)	Mx (Nm)	My (Nm)	Mz (Nm)
LD-010	20	20	40	30	30	30

DESCRIPTION

Special characteristic of the Linear Stage **AVT-65** is its very compact structural shape. The module is suitable for the precise positioning of light construction parts. The translation is made with a Leadscrew LD-010. Resolutions up to 10µm can be achieved.

Technical data

Travel Range (mm)	5
Accuracy per 25 mm (μm)	+/- 10
Straightness / Flatness (μm)	+/- 5
Pitch (mrad)	1
Yaw (mrad)	1
Leadscrew Pitch (mm)	0.25

Sensitivity (μm)

Lead screw	+/- 2.5
------------	---------

Material

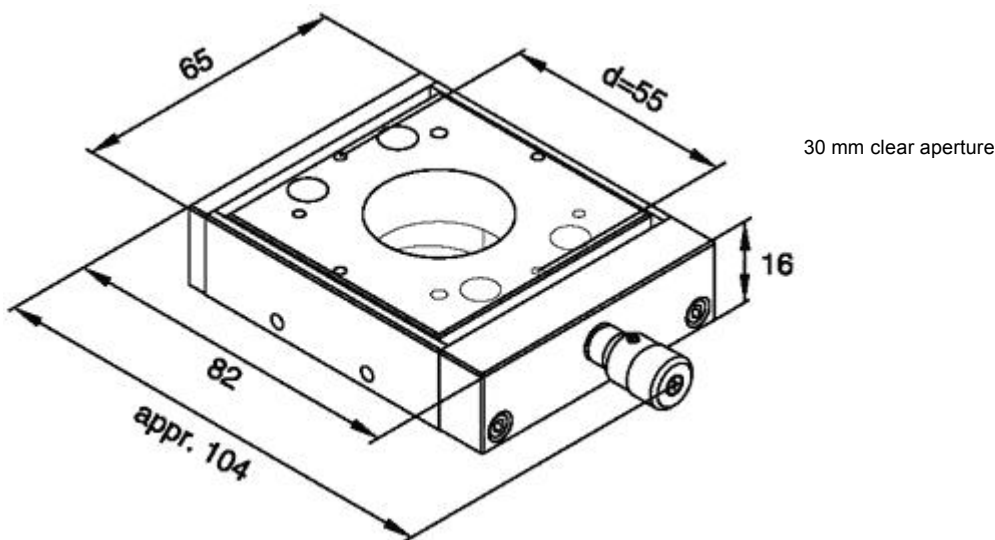
Special Alu, black anodized

Weight (kg)

0.45

MOTION CONTROL Systems Positioners MiniPos DirectDrives Controllers ManPos Accessories Vacuum MAC PhotonX M A C

AVT-65 Base & Knobs




Travel range

5 mm

MOTION CONTROL Systems Positioners MiniPos DirectDrives Controllers ManPos Accessories Vacuum MAC PhotonX M A C

AVT-65 Ordering information

Linear Stage	Order-No.
AVT-65	4211-9-200

Founded in 1990, MICOS specializes in the development, manufacturing and marketing of ultra-high precision positioning components and systems for research and industry. We are experts in vacuum, ultra-high vacuum, clean room, and extreme climate environments down to 77 Kelvin. 

[Terms](#) | [Sitemap](#) | [About us](#) | [Contact](#) | [Catalog](#) | [Shows](#) | [News](#) | [Offices](#) | [Partners](#) | [Press Center](#) | [Support](#) | [Team](#) | [Home](#)
MOTION CONTROL = [Systems](#) | [Positioners](#) | [MiniPositioners](#) | [DirectDrives](#) | [Controllers](#) | [ManPositioners](#) | [Accessories](#) | [Vacuum](#)
MAC PhotonX = [Moskito](#) | [Albatros](#) | [Campus](#)

Copyright 2006 © MICOS GmbH